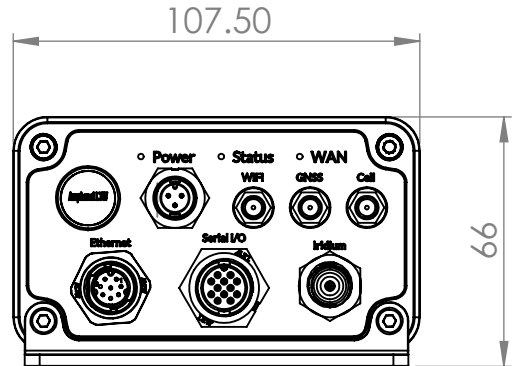
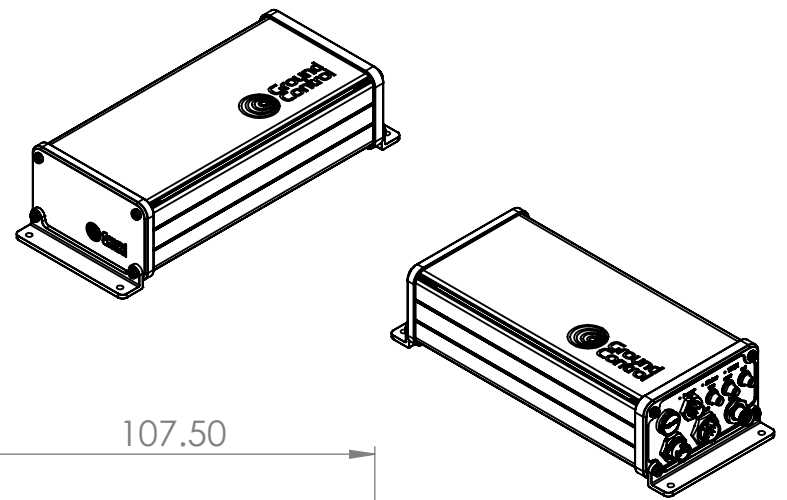


REVISIONS				
ZONE	REV.	DESCRIPTION	DATE	APPROVED



GROUND CONTROL	
DESIGN COPYRIGHT OF GROUND CONTROL TECHNOLOGIES LTD.	
SCALE: 1:2	A4 DO NOT SCALE DRAWING
UNLESS OTHERWISE SPECIFIED: DIMENSIONS ARE IN MILLIMETERS	GENERAL TOLERANCES: ±0.1 UNLESS OTHERWISE STATED. IF IN DOUBT PLEASE ASK
TITLE: RockREMOTE Rugged GA Drawing	
PART NO. N/A	REVISION N/A
DRAWN	DATE 04-12-23
SHEET 1 OF 1	

MATERIAL: _____ FINISH: _____
 DEBUR AND BREAK SHARP EDGES