

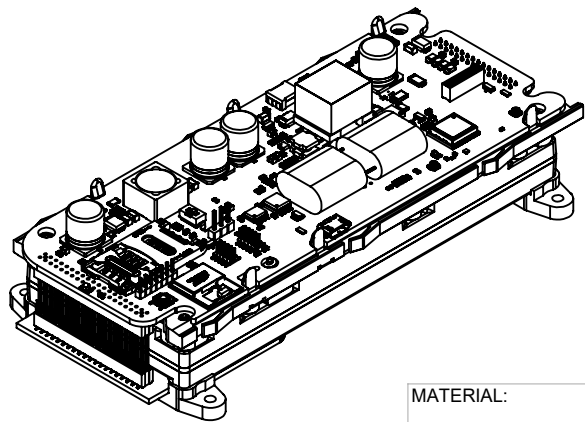
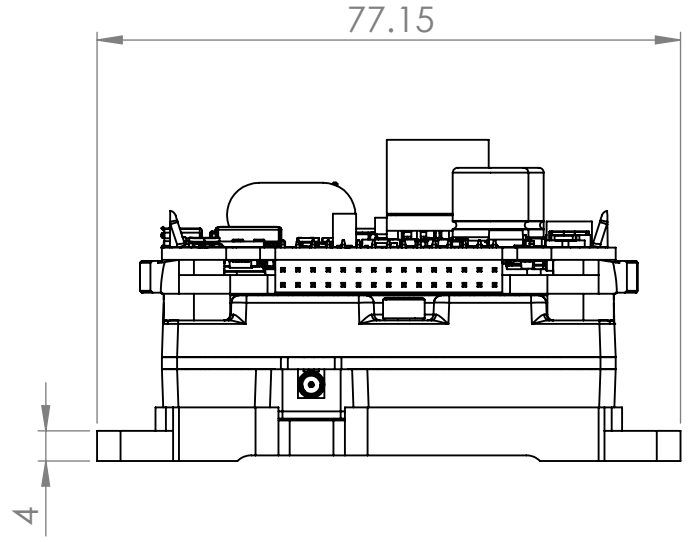
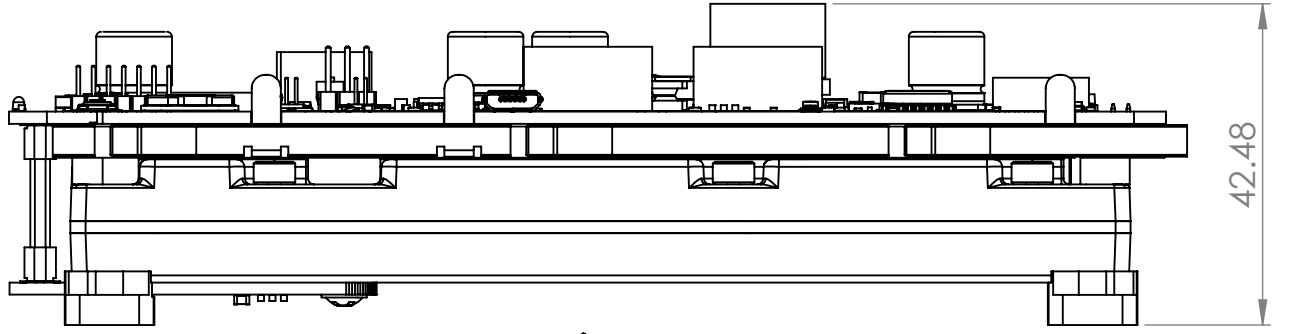
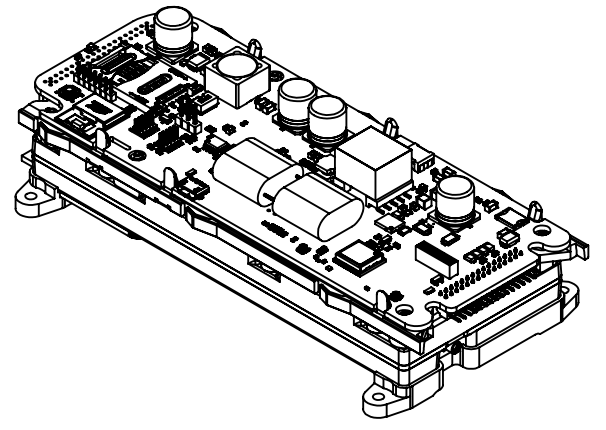
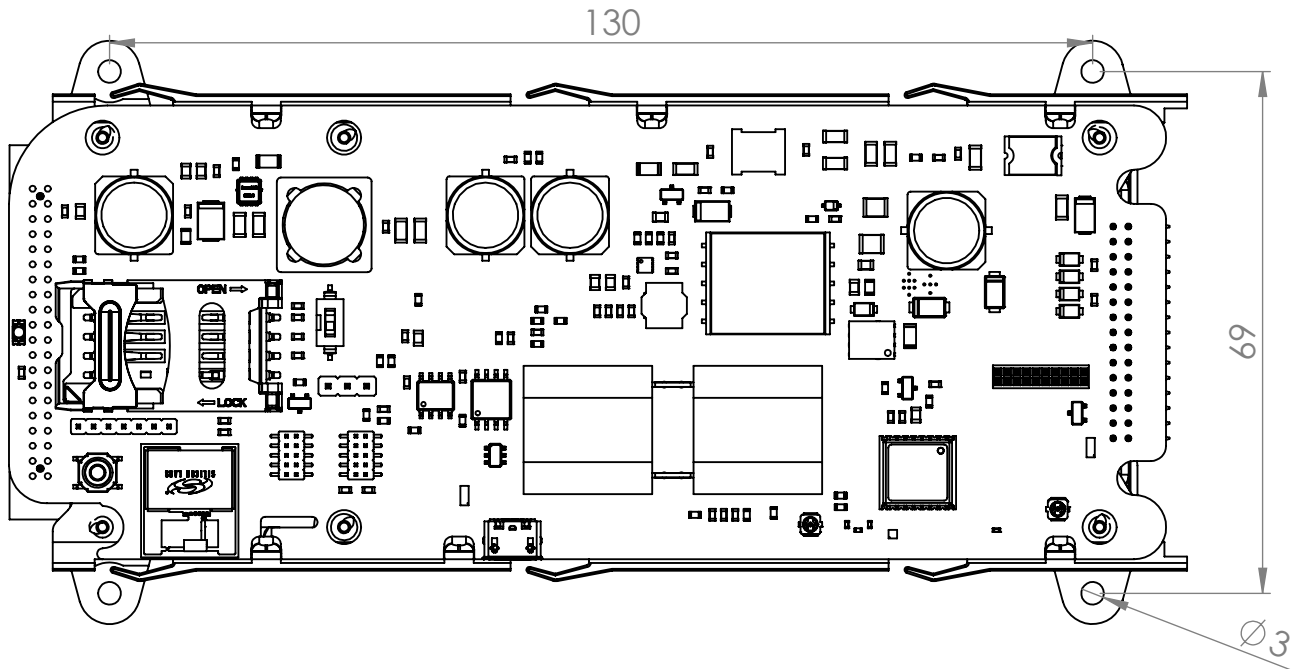
1 2 3 4 5 6

A

B

C

D



MATERIAL:

FINISH:

DEBUR AND BREAK SHARP EDGES

### GROUND CONTROL

DESIGN COPYRIGHT OF GROUND CONTROL.

SCALE:1:1 A4  DO NOT SCALE DRAWING

UNLESS OTHERWISE SPECIFIED: GENERAL TOLERANCES: ±0.1  
 DIMENSIONS ARE IN MILLIMETERS UNLESS OTHERWISE STATED.  
 IF IN DOUBT PLEASE ASK

TITLE: RockREMOTE Mini OEM

PART NO.	N/A	REVISION	N/A
----------	-----	----------	-----

DRAWN	JK	DATE	25-03-24
-------	----	------	----------

SHEET 1 OF 1